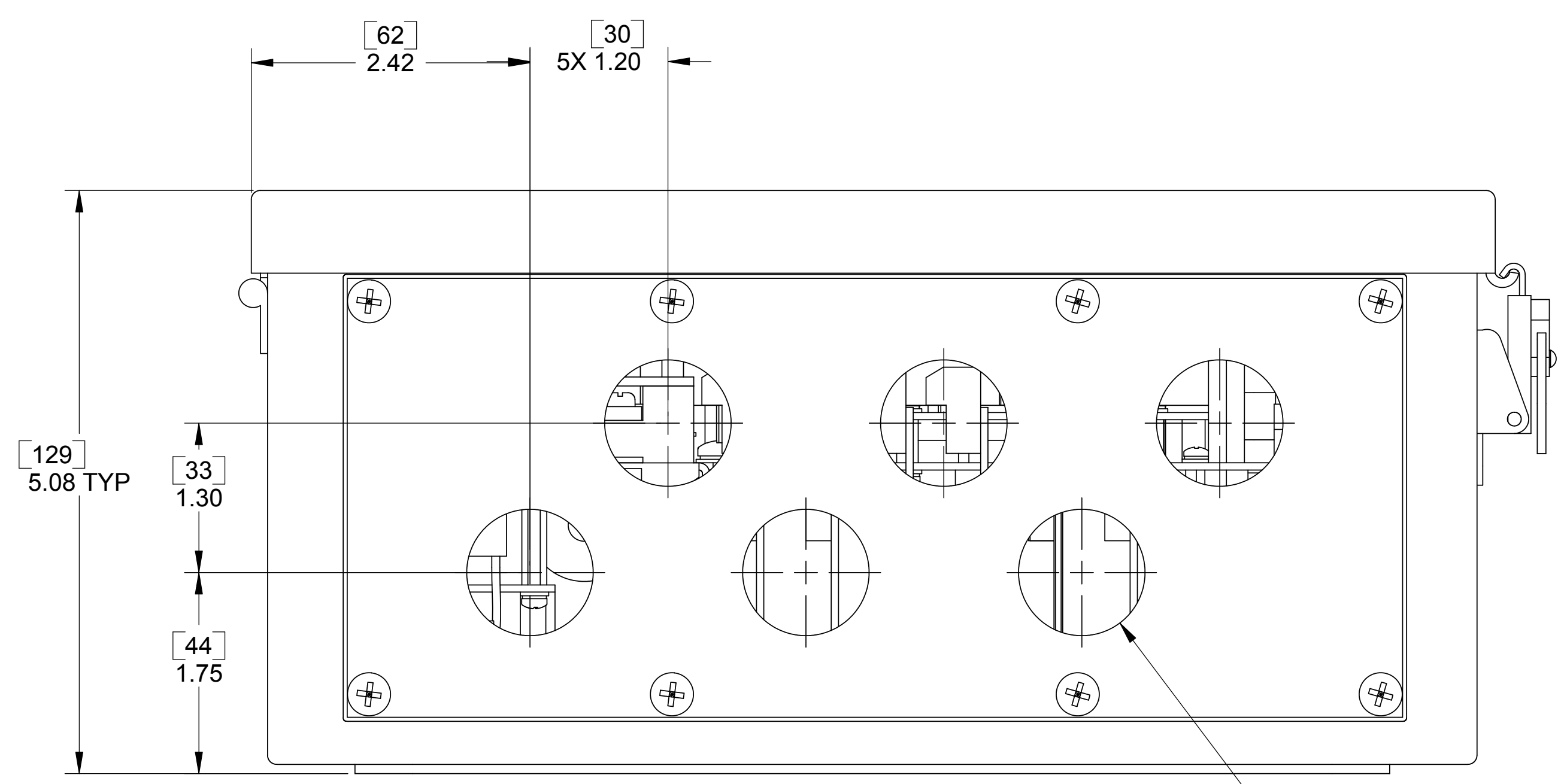
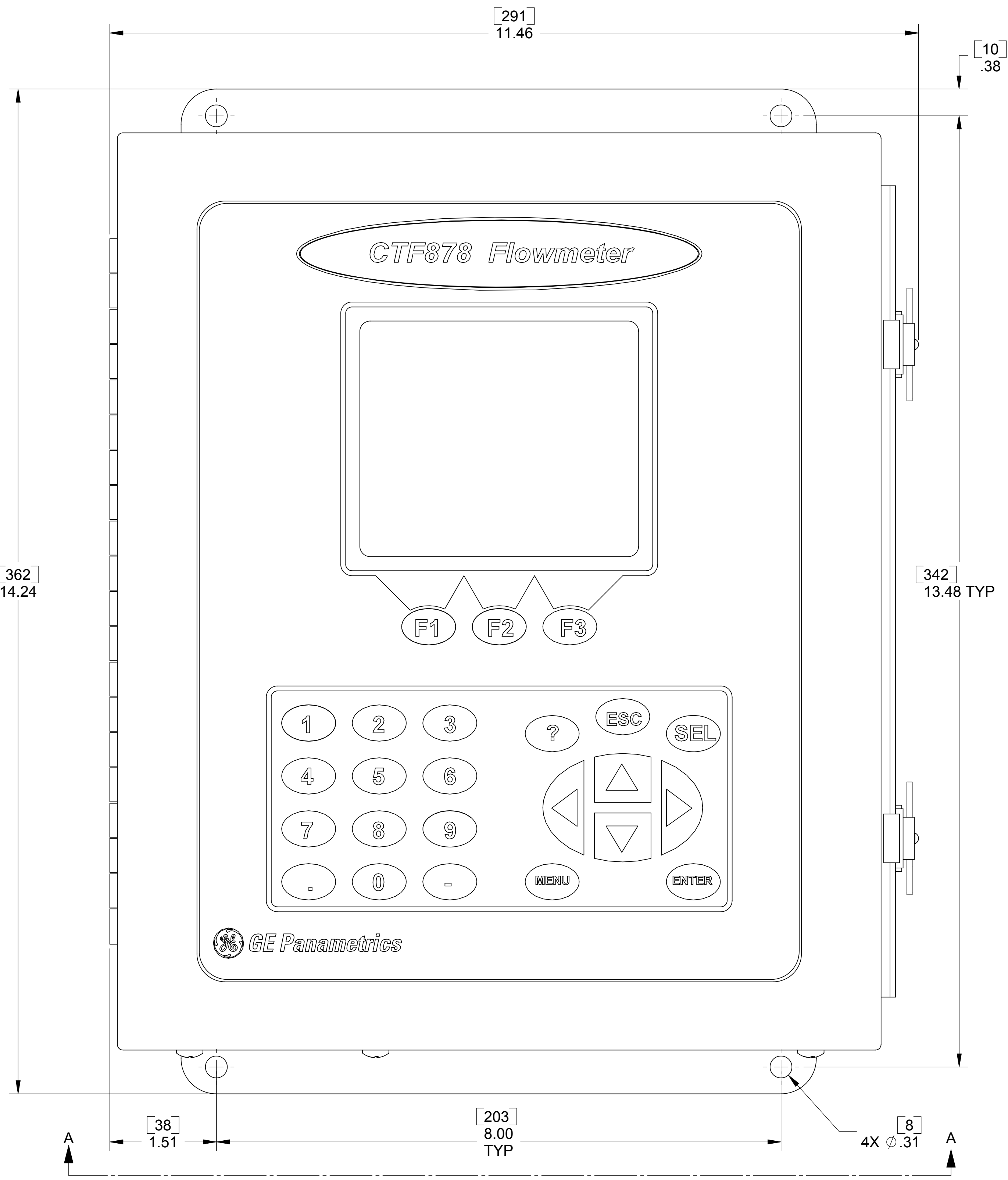
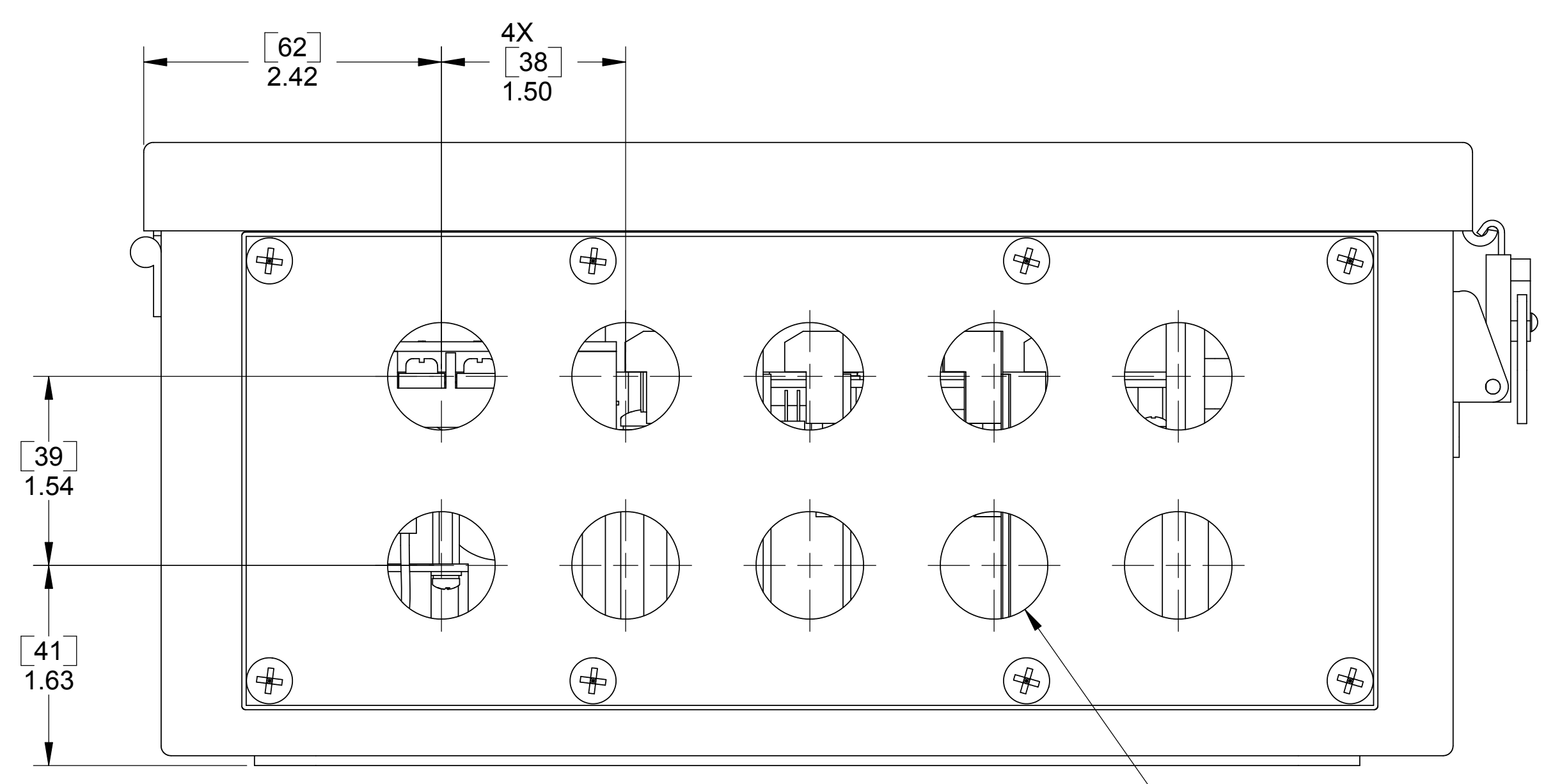


REVISIONS					
REV	ECO	DESCRIPTIONS	DWN	CKD	APVD
A	~	RELEASED TO ECO CONTROL	DMS 4/20/04		



VIEW A-A
3/4" [19] CONDUIT PLATE



VIEW A-A
1/2" [13] CONDUIT PLATE

- NOTES:
1. ALL DIMENSIONS REFERENCE.
 2. DIMENSIONS: INCHES [MM].

SHEET	REPRESENTS	WEIGHT
1	STANDARD NEMA 4X, 13"X11"X5" ENCLOSURE	8 LB (3.6 KG)

UNLESS OTHERWISE SPECIFIED DIMENSIONS ARE IN INCHES. TOLERANCES ARE: FRACTIONS ± .005, DECIMALS ± .005, ANGLES ± .005, SURFACE FINISH ✓					
THIRD ANGLE PROJECTION		DRAWN 9/19/02		APP'D	
CHECKED		SALES		TITLE	
CERT		QC		OUTLINE AND INSTALLATION	
RN 6463		GENERATED USING SOLIDWORKS		SIZE	
MODEL NO. CTF878		SCALE 1:1		DRAWING NUMBER 712-1186	
		DO NOT SCALE DWG		REV A	
		SHEET 1 OF 1			