

Level Measurement

Continuous level measurement – Ultrasonic controllers

SITRANS LU AO

Overview



The SITRANS LU AO Analog Output Module provides remote analog output for the measurement points of the SITRANS LU10 level monitor.

Benefits

- Analog outputs can be up to 1500 m (5000 ft) from the SITRANS L 10
- Analog outputs can be per transducer and/or average of 2 or more

Application

The operation of the SITRANS LU AO is programmed via the SITRANS LU10. The only on-board settings are for bank selection and output testing.

The SITRANS LU AO can provide up to 10 analog outputs (each sharing a common negative bus which is electrically isolated from ground).

Technical specifications

Mode of operation	
Input	
Communications	Data from SITRANS LU10
• Transmission rate	4800 bits/s
• Voltage	± 20 mA bipolar current loop
• Polarization	Non-polarized
• Max. load	1 receiving unit
Output	
Analog outputs	10 analog outputs, programmable from SITRANS LU10
	0 or 4 ... 20 mA, isolated
• ± 20 mA bipolar current loop	Input and transmission
- Max. load	750 Ω
- Resolution	0.1%
Rated operating conditions	
Ambient conditions	
• Ambient temperature for enclosure	-20 ... +50 °C (-5 ... +122 °F)
• Location	Indoor/outdoor
• Installation category	II
• Pollution degree	4
Design	
Weight	2 kg (4.4 lbs)
Material (enclosure)	Polycarbonate
Degree of protection	Type 4X/NEMA 4X/IP65
• Cable connection	2 copper conductors, twisted, with foil shield/drain wire, 300 V 0.5 ... 0.75 mm ² (22 ... 18 AWG)
• Electrical connection and relay connection	Copper conductor according to local requirements, rated 250 V 5 A
Power supply	100/115/200/230 V AC ± 15%, 50/60 Hz, 15 VA
Displays and controls	1 LED for display of voltage/communications state
Certificates and approvals	CE, FM, CSA _{US/C} , C-TICK

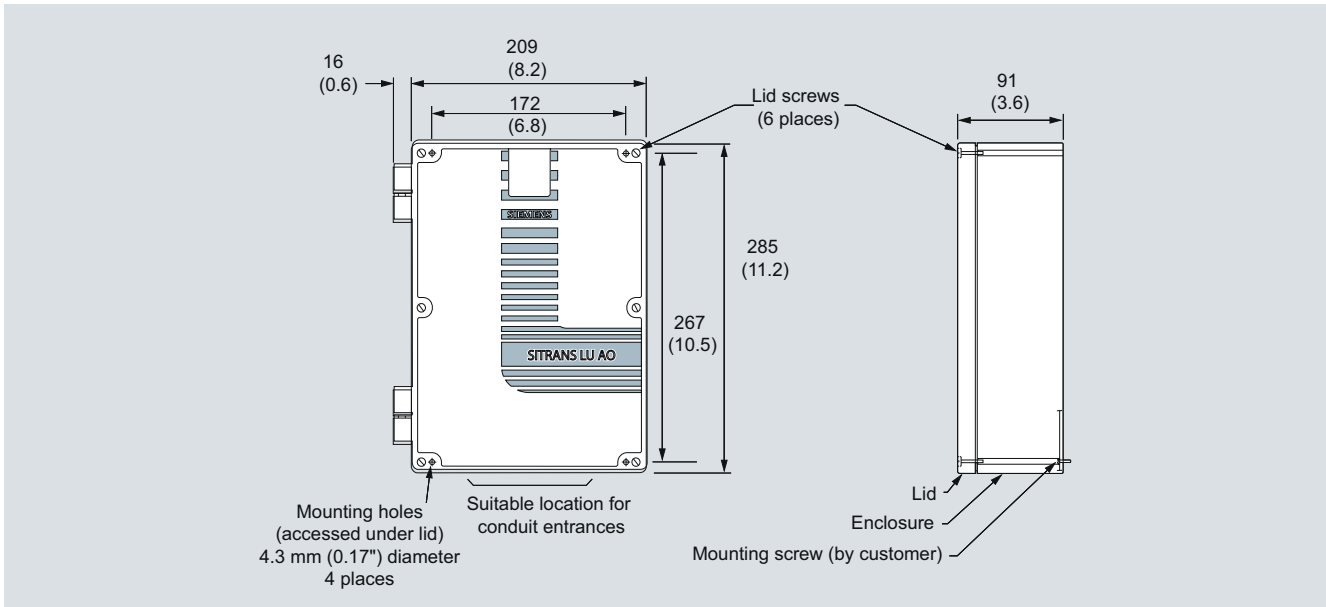
Selection and Ordering data	Order No.
SITRANS LU AO	C) 7ML5810-1A
Provides remote analog output for the measurement points of the SITRANS LU10 level monitor. Approvals: CSA _{US/C} , FM, CE, C-TICK	
Operating Instructions	
English	C) 7ML1998-5CE01
German	C) 7ML1998-5CE31
Note: Operating Instructions should be ordered as a separate line item on the order.	
This device is shipped with the Siemens Milltronics manual CD containing the complete Quick Start and Operating Instructions library.	
C) Subject to export regulations AL: N, ECCN: EAR99.	

Level Measurement

Continuous level measurement – Ultrasonic controllers

SITRANS LU AO

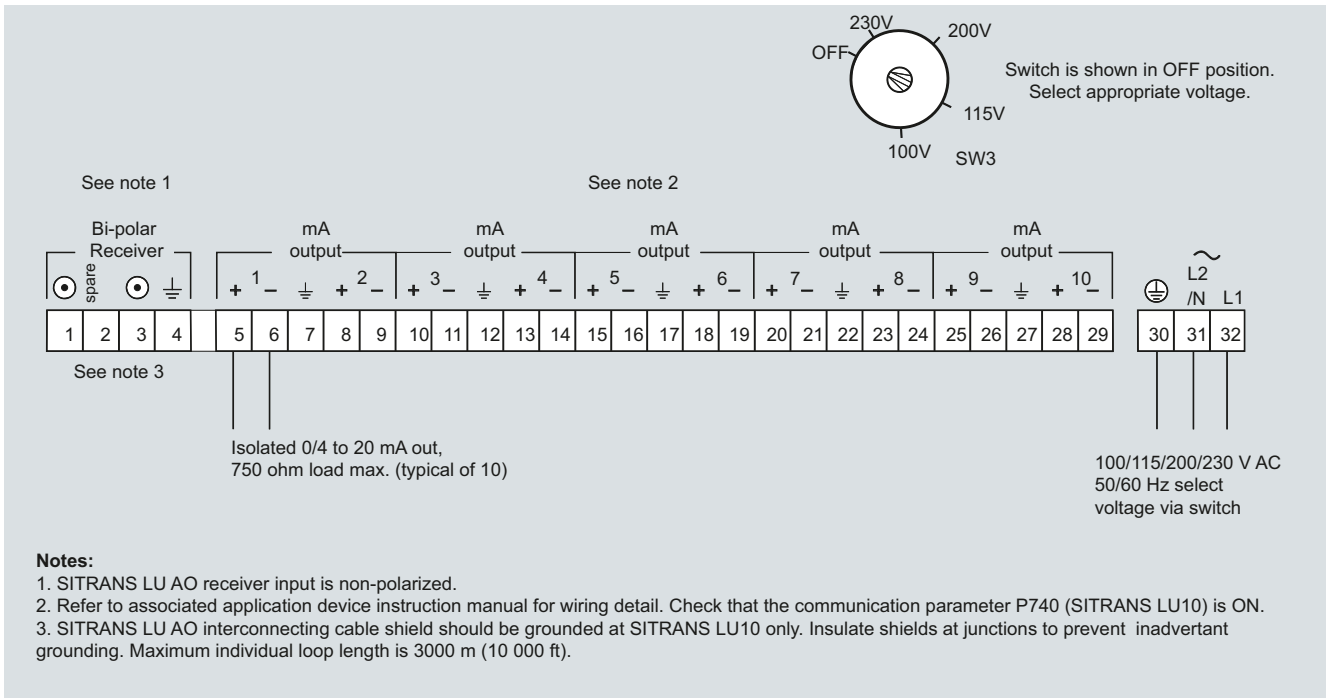
Dimensional drawings



SITRANS LU AO, dimensions in mm (inch)

5

Schematics



SITRANS LU AO connections