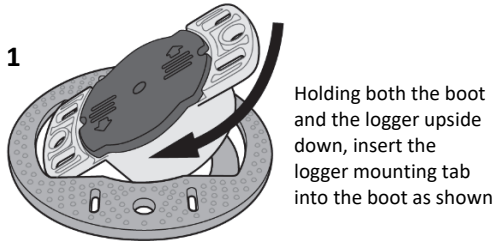
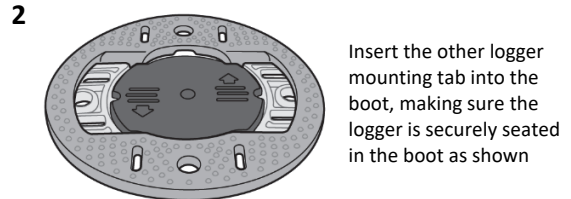


**Installing the Logger in the Mounting Boot**

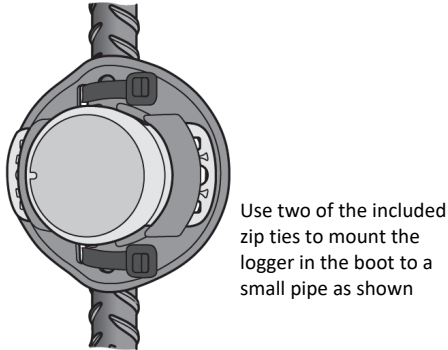


Holding both the boot and the logger upside down, insert the logger mounting tab into the boot as shown

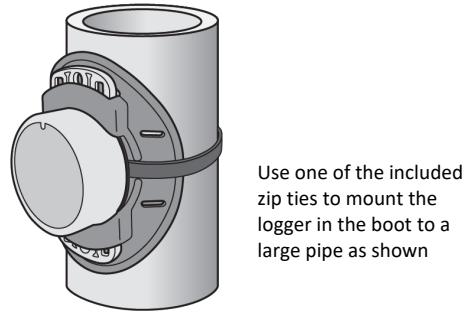


Insert the other logger mounting tab into the boot, making sure the logger is securely seated in the boot as shown

**Mounting the Logger in the Boot to a Pipe**



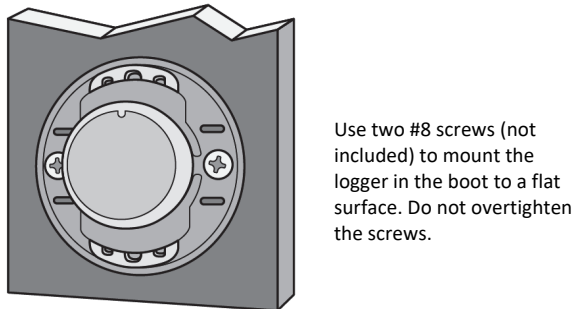
Use two of the included zip ties to mount the logger in the boot to a small pipe as shown



Use one of the included zip ties to mount the logger in the boot to a large pipe as shown

24847-A MAN-BOOT-MX2201-2202

**Mounting the Logger in a Boot to a Flat Surface**



Use two #8 screws (not included) to mount the logger in the boot to a flat surface. Do not overtighten the screws.



For detailed mounting and deployment guidelines, refer to the logger manual. Go to [www.onsetcomp.com/support/manuals/21536-mx2201-mx2202-manual](http://www.onsetcomp.com/support/manuals/21536-mx2201-mx2202-manual) or scan the code at left.